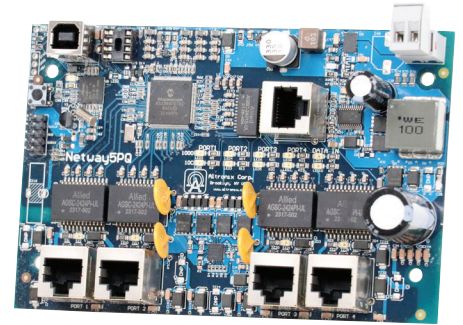


NetWay5PQ

Managed 5-Port Hardened PoE+ Switch



Altronix Netway5PQ is a space-saving network managed hardened PoE+ switch board that mounts easily inside of Altronix enclosures, improving installation efficiency. It is an ideal solution in all Maximal and Trove series products, providing power for up to four (4) IP devices, such as PoE access controllers and cameras – utilizing a single Ethernet cable going to the headend. Other applications may include solar power, as well as integrating network door access systems with video surveillance. Features embedded LINQ™ Technology to remotely monitor, control, and report power/diagnostics.



NetWay5PQ

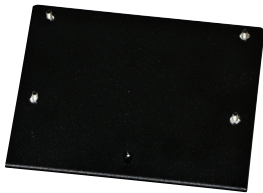
Key Features

- Four (4) 10/100/1000 Mbps PoE/PoE+ (up to 30W) ports
- IEEE 802.3af (15W) and IEEE 802.3at (30W) compliant
- 120W total power
- PoE activity LED indicators
- Management interface software included (USB flash drive)
- VLAN (Virtual Local Area Networks) subnetwork allows for the grouping together of devices for improved network traffic and higher security
- CE European Conformity
- Lifetime Warranty

Similar products

NetWay5PQWPX	Outdoor Managed 5-port PoE+ Hardened Switch in NEMA 4/4X, IP66-11 enclosure which accommodates stand-by batteries
NetWay5PQWP	Outdoor Managed 5-port PoE+ Hardened Switch in NEMA 4/4X, IP66-11 enclosure
NetWay5PQWPN	Outdoor Managed 5-port PoE+ Hardened Switch only in NEMA 4/4X, IP66-11 enclosure
NetWay5PQX	Indoor Managed 5-port PoE+ Hardened Switch in NEMA 1 Rated indoor enclosure

Accessories (order separately)



BR1 - Sub-Assembly Mounting Bracket

Altronix BR1 mounting bracket is compatible with Altronix Maximal and Trove enclosures allowing sub-assembly modules to be mounted to the enclosure's inside wall, saving valuable space.



DNP1 - DIN Rail Mounting Plate

Altronix DNP1 DIN Rail Mounting Plate allows for easy installation of Altronix Power Supplies and sub-assemblies onto a standard 35mm DIN rail such as Altronix D10, D12, D19 or D24 - sold separately.



MM4 - Magnetic Mounting Solution

Altronix mounting magnets accommodate screws and nylon spacers to allow for mounting various boards/accessories in any metal enclosure or backplane.

Lifetime Warranty

NetWay5PQ

Managed 5-Port Hardened PoE+ Switch



Specifications

Input Power 12 or 24VDC from a UL Listed power source or a solar panel with nominal 24V (~12-35V) output
24VDC, current draw: 120W
12VDC, current draw: 60W

Power Output
Maximum Power Four (4) 10/100/1000 Mbps PoE/PoE+ (rated up to 30W) ports
60W (at 12VDC) or
120W (at 24VDC) total power
Integral surge protection

Uplink Port Single data port

Ethernet Ports
Five (5) 10/100/1000 Mbps ports
Connectivity: RJ45, auto-crossover
Wire type: 4-pair CAT5e or higher structured cable
Distance: up to 100m
Speed: 10/100/1000 Mbps, half/full duplex, auto negotiation

LINQ Technology:
Remote network power management allows for device reset and monitoring
Provides local and/or remote access to critical information via LAN/WAN
Email and Windows Dashboard Alert notifications report real-time diagnostics
Event log tracks history

VLAN:
Multiple management VLAN assignment
802.1Q Tagged VLAN
Up to 10 VLAN groups. ID Range 2-4095

Indicators (LED)
Individual PoE On LEDs for each port
Individual IP Link status, 10/100Base-T/active LEDs for each port

Agency Listings
CE European Conformity

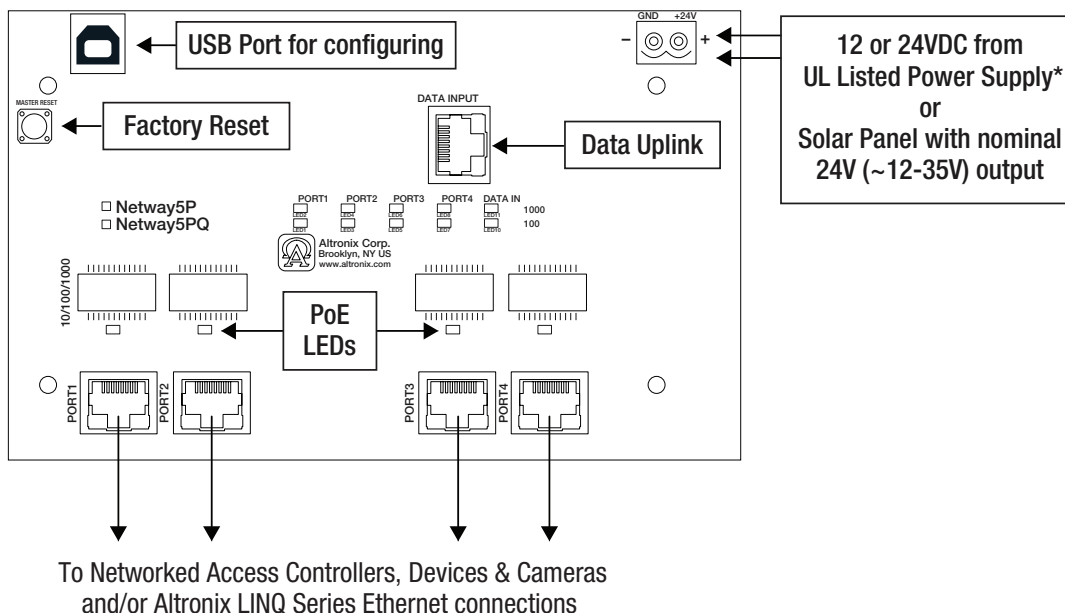
Physical and Environmental
Dimensions (L x W x H)
Board: 5.9" x 3.6" x 0.75" (150mm x 91.4mm x 19mm)
Shipping: 8" x 6" x 5" (203.2mm x 152.4mm x 127mm)

Weight (approx.)
Product Weight: 0.25 lb. (0.11 kg)
Shipping Weight: 0.75 lb. (0.34 kg)

Temperature
Operating: -30°C to 70°C (-22°F to 158°F)
Storage: -40°C to 85°C (-40°F to 185°F)

Relative Humidity 85% +/- 5%
Operating Altitude: -304.8 to 2,000m
Mounting hardware is included

Typical Application



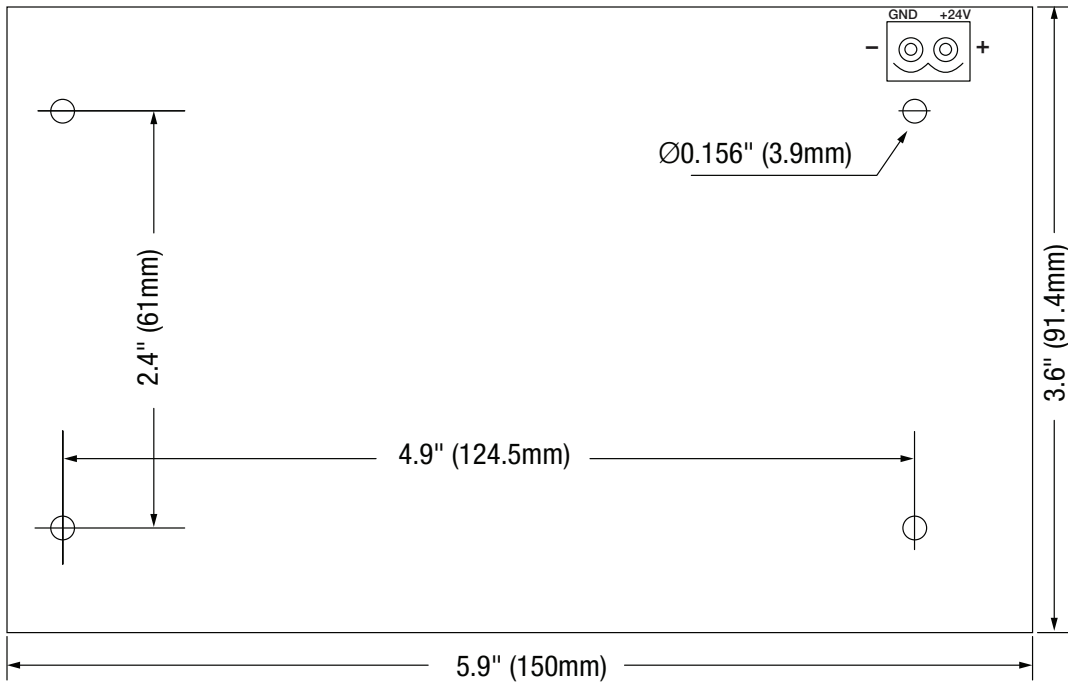
Lifetime Warranty

Dimensions and Drawing

Board Dimensions (L x W x H approximate)

5.9" x 3.6" x 0.75" (150mm x 91.4mm x 19mm)

Mounting Holes' Tolerance: +/- 0.04 in. (1mm)



Lifetime Warranty

Altronix Corporation | 140 58th St | Brooklyn, NY 11220 USA

phone: +1 718.567.8181 | fax: +1 718.567.9056 | email: info@altronix.com | www.altronix.com